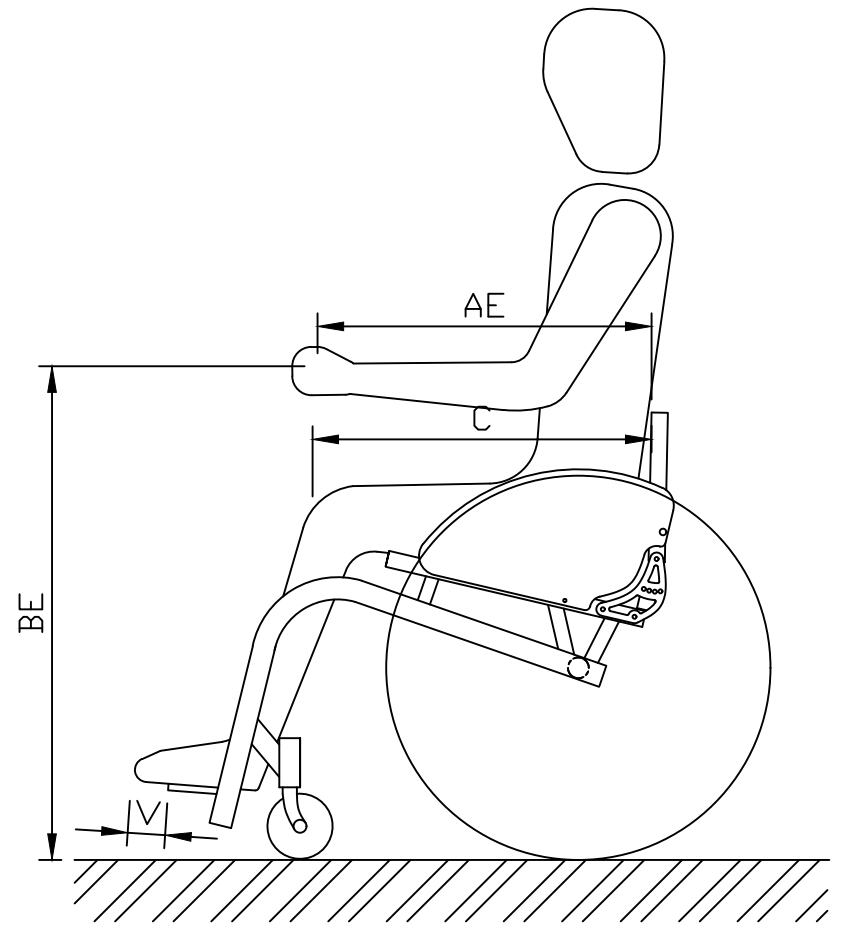


HANDBIKE

A	B	C	V	S



E-BIKE

AE	BE	C	V